

»FUTURA-mini« series

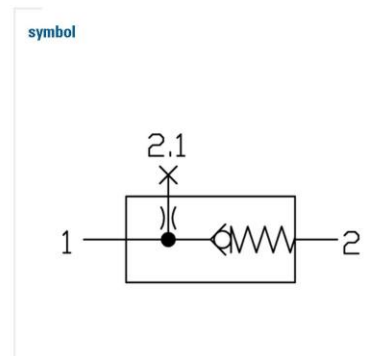
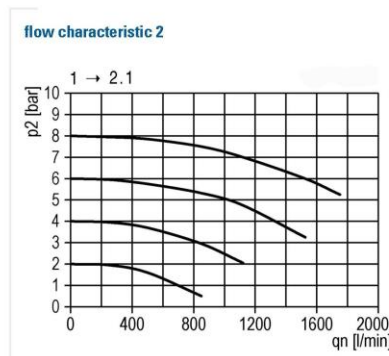
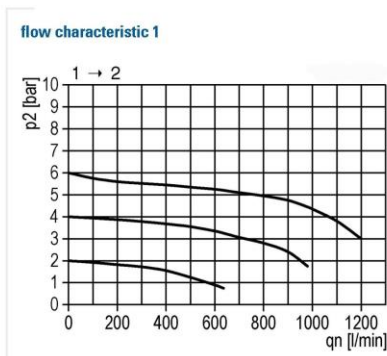
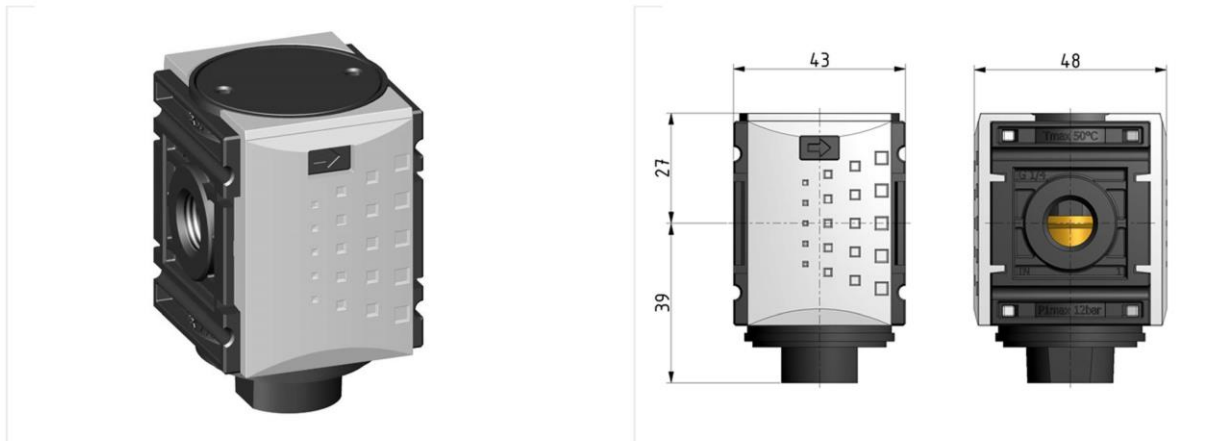
Input pressure	0.4 - 12 bar
Temperature range	-10 °C to 50 °C
Medium	Compressed air, neutral gases
Housing	PA66 GF60
Sealant	NBR
Connecting thread	Plastic

Non-return valve

Art. No.	Type No.	Thread	Size
142531	FUM 9401	G 1/4	0

Accessories / spare parts

Art. No.	Type No.	Description
143105	H 848	Mounting bracket, incl. 2 screws
143010	WKM 100	Coupling package for wall mounting incl. 2 screws and O-ring
143022	KPM 100	Coupling package incl. 2 screws and O-ring
152077	WK 100-14	Wall bracket with connection thread G 1/4



- flow rate 1 => 2: 750 l/min
- flow rate below 1 => 2.1: $Q_n = 1000$ l/min (at $P_1 = 6$ bar, $\Delta p = 1$ bar)